

DOOSAN

Wheeled Excavator |
DX170W-5



Maximum power: 152 HP
Operating weight: 16.8 t
Max. bucket capacity: 0.90 m³





Engine

Make / Model	DOOSAN DLo6P
No. of cylinders	6
Rated power at 2000 rpm (SAE J1995)	113.3 kW (151.9 HP)
Rated power at 2000 rpm (SAE J1349)	110.3 kW (147.9 HP)
Rated power at 2000 rpm (ISO 9249)	110.3 kW (150 PS)
Max. torque at 1400 rpm	66 kgf.m (672 Nm)
Piston displacement	5890 cm ³
Bore x stroke	100 mm x 125 mm
Starter	24 V x 6 kW

Weights

Operating weight	16800 - 18300 kg
------------------	------------------

Performance

Bucket digging force (ISO)	11.6 / 12.3 ton
Arm digging force (ISO) - arm 2.5 m	8.2 / 8.6 ton
Travel speed (creep / low / high)	3 / 10 / 37 km/h
Swing speed	10.7 rpm
Maximum traction force	10 ton
Gradeability	33° (64%)

Hydraulic system

Main pumps (2)	Tandem - axial piston
Maximum flow at 2000 rpm	2 x 170 l/min
Maximum system pressure	
Work	360 [+10/0] kg/cm ²
Travel	340 [+10/0] kg/cm ²

Fluid capacities

Fuel tank	280 l
Cooling system	25.6 l
Engine oil	22 l
Swing device	3 l
Hydraulic tank	96 l
Urea tank	35 l

Undercarriage

Tyres dimensions	10.00 - 20 - 14 PR
Overall width	2500
Wheel base	2650 mm
Tread width	1944

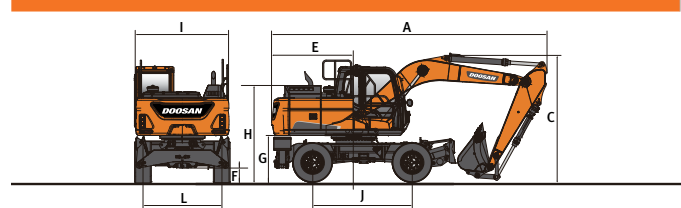
Other

A-weighted emission sound pressure level at the operator's position, LpAd (ISO 6396:2008)	70 dB(A)
A-weighted sound power level, LwAd (2000/14/EC)	102 dB(A)
Counterweight	3.22 ton
Hydraulic cylinders	Bore X Rod diam. X Stroke
Boom, lower	115 X 80 X 955 mm
Boom, upper	160 X 95 X 680 mm
Arm	125 X 90 X 1248 mm
Bucket	105 X 70 X 995 mm

Standard features (not exhaustive)

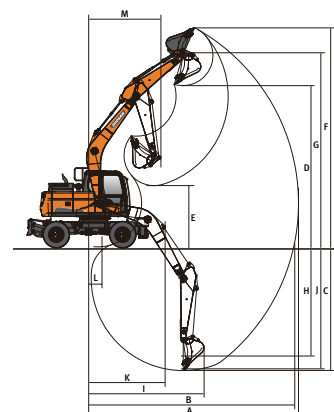
Front dozer & rear outriggers	Double tyres 10.00 - 20 - 14 PR
Boom 5.1 m - Arm 2.5 m	7" (18 cm) LCD colour monitor panel
Control of auxiliary hydraulic flow & pressure	Air conditioning with climate control
One & two-way piping	Boom and arm cylinder safety valves
Pressurised, sound-insulated and CabSus mounted ROPS cab	Sliding proportional control
DLo6P - EU Stage IV - EGR (Exhaust Gas Recirculation), Selective Catalytic Reduction (SCR) and DOC (Diesel Oxidation Catalyst)	of auxiliary hydraulic lines on joysticks
Heated, adjustable air suspension seat with adjustable headrest and armrest	Halogen work lights (2 front frame, 4 front cab-mounted, 2 rear cab-mounted, 2 boom-mounted and 1 rear side)
4 operating modes & 4 working modes	Creeping/low/high speed - Auto idle and Smart Power Control (SPC)
Two way pedal	Jog shuttle switch
Rear view camera	Double element air cleaner
Overload warning device	"CORE TMS" Doosan Telematic system
	Alarm for travel & swing

Dimensions



Boom - mm	One-piece boom			Two-piece boom	
	2500	2100	3000	2500	2100
Arm - mm	0.66	0.76	0.48	0.66	0.76
Bucket - m ³					
A	8219	8253	8190	8320	8352
B	2530	2530	2530	2530	2530
C	3098	3162	3433	3136	3165
D	3075	3075	3075	3075	3075
E	2225	2225	2225	2225	2225
F	350	350	350	350	350
G	1237	1237	1237	1237	1237
H	2234	2234	2234	2234	2234
I	2530	2530	2530	2530	2530
J	2650	2650	2650	2650	2650
K	1944	1944	1944	1944	1944

Working range



Boom - mm	One-piece boom			Two-piece boom	
	2500	2100	3000	2100	2500
Arm - mm	0.66	0.76	0.48	0.76	0.66
Bucket - m ³					
A	8875	8525	9285	8715	9090
B	8695	8340	9115	8530	8915
C	5315	4920	5815	5350	5745
D	6585	6410	6725	7090	7380
E	2565	3025	2095	3440	2935
F	9140	8980	9250	9760	10045
G	7925	7750	8065	8435	8720
H	4710	4325	5150	4470	4835
I	5945	5835	6110	5220	5370
J	5110	4685	5635	5240	5640
K	2810	2810	2810	770	770
L	820	1760	495	2035	1195
M	2990	3185	3125	3035	2795
d	178	178	177	178	178

